

SPECIFICATIONS

Dual USB A



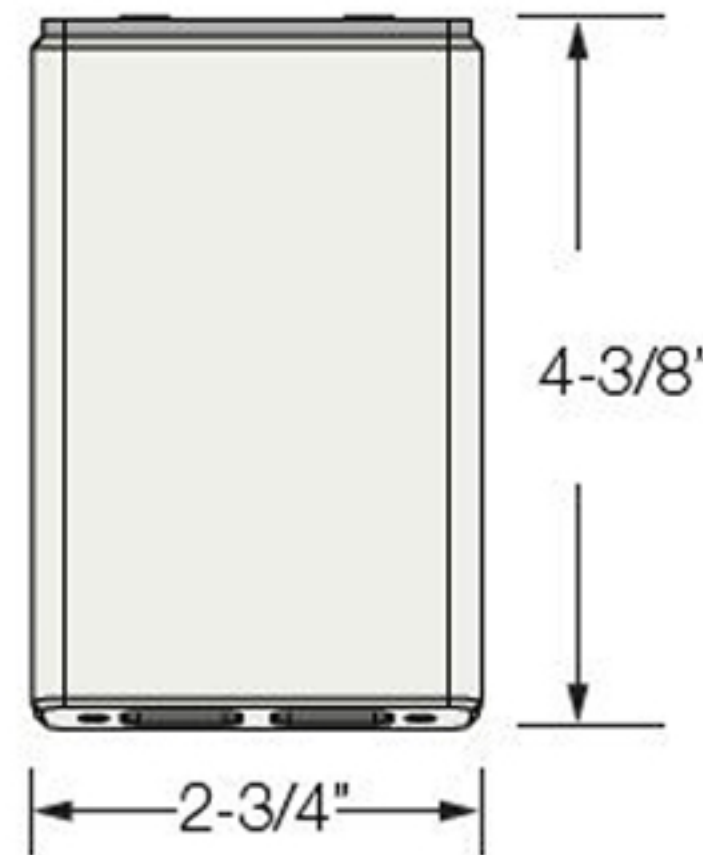
(2) 10W USB A Ports



USB A+C



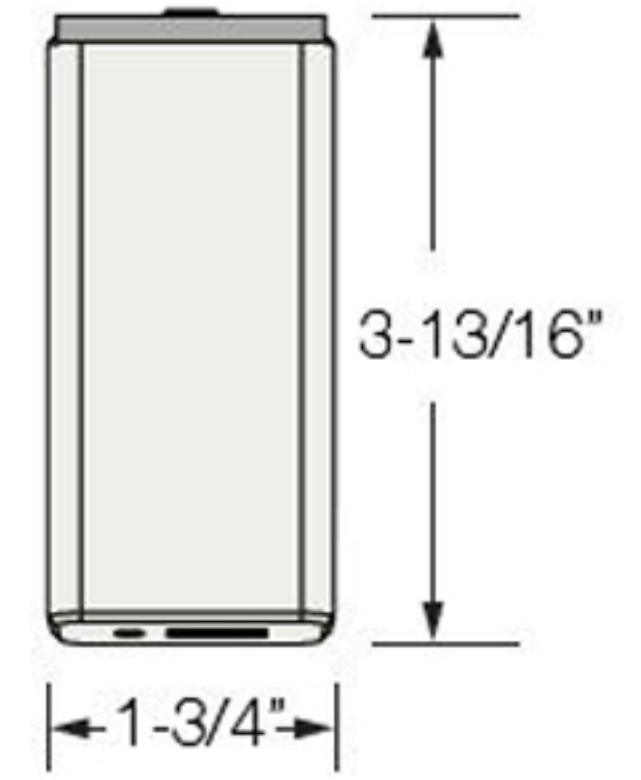
(1) 10W USB A, (1) 15W USB C



USB Single Port

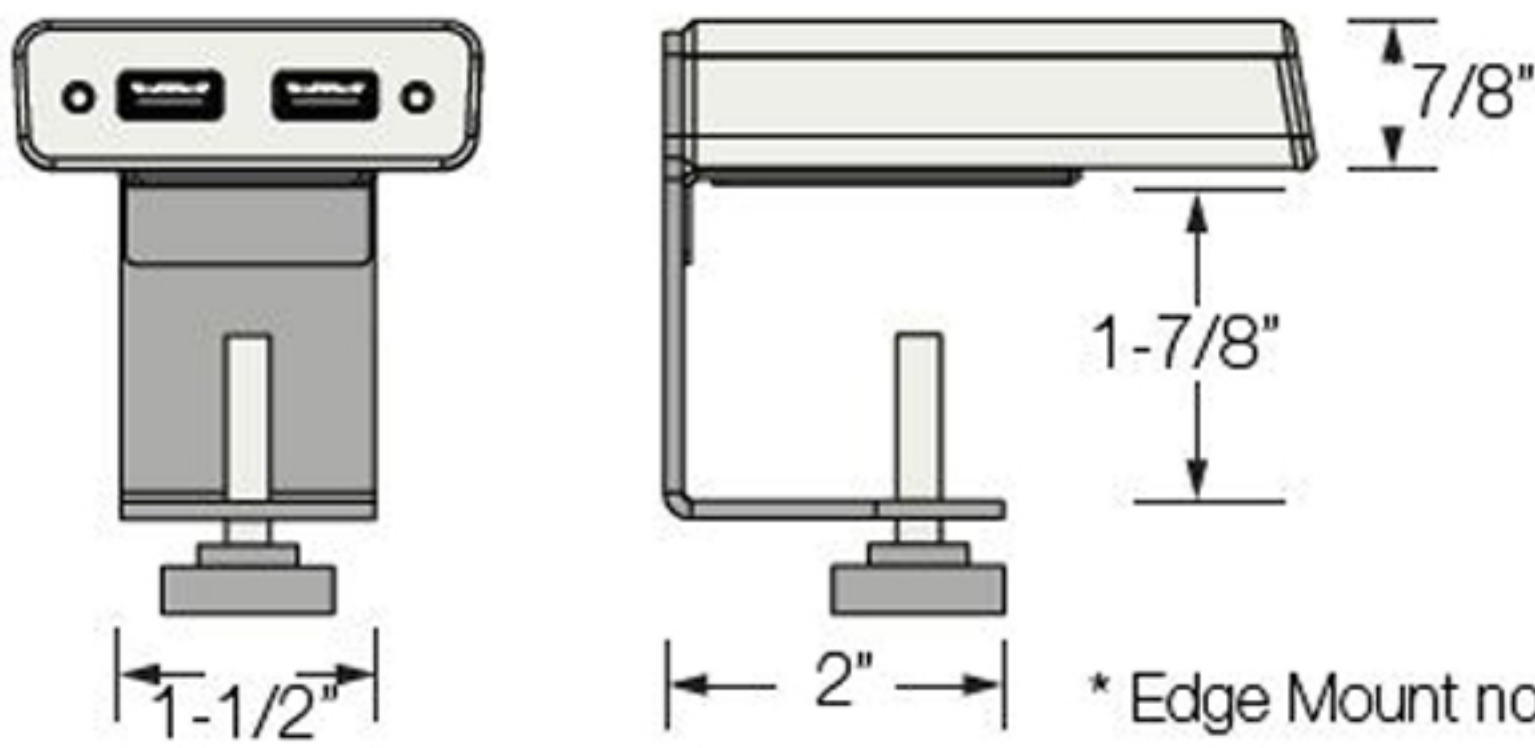


(1) 10W USB A



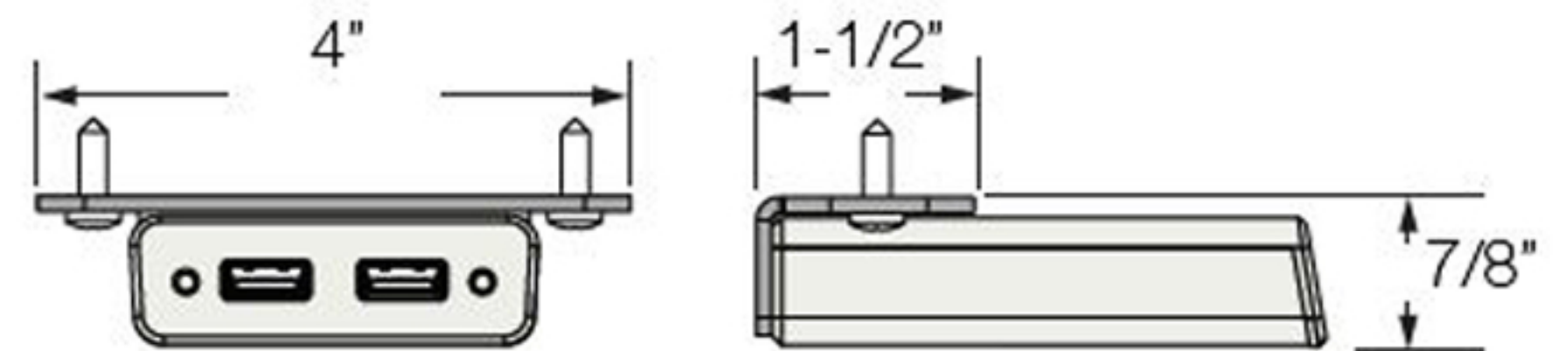
Mounting Options: Available in two discrete mounting styles, under surface or a low profile edge mount.

Edge Mount*



* Edge Mount not available for Single Port USB

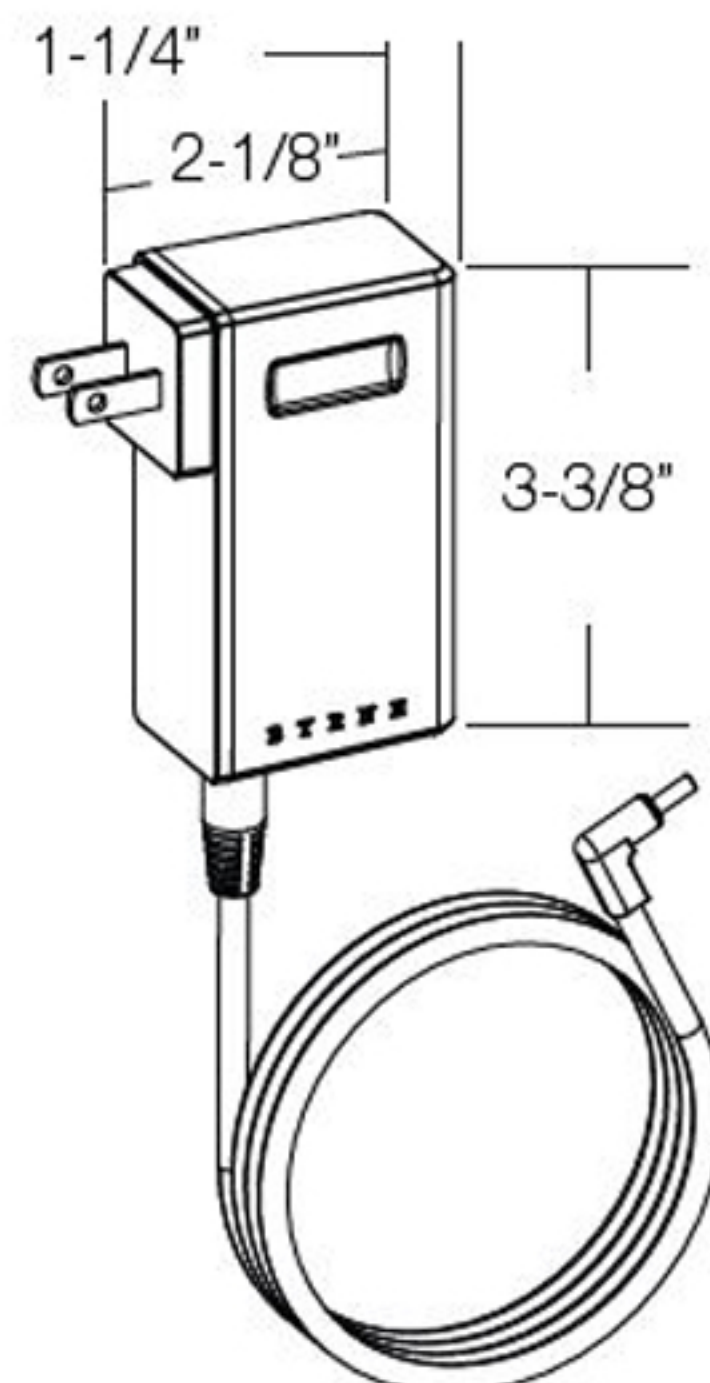
Under Mount



EXTERNAL POWER SUPPLY

36W

Barrel connector
Replacement part number
BE04571-color-length



FINISHES

Molded plastic and comes standard in Black, White, Storm, or Fog so it perfectly blends into many workstations. However, if you'd like a pop of color, we can do that too. Just ask your representative for more information.

A blue LED light lets users know that charging is available, and brightens when a device is plugged in. Mounting brackets are offered in powder coated white or black.

Point of Use Device



Black Plastic



White Plastic



Storm Plastic



Fog Plastic