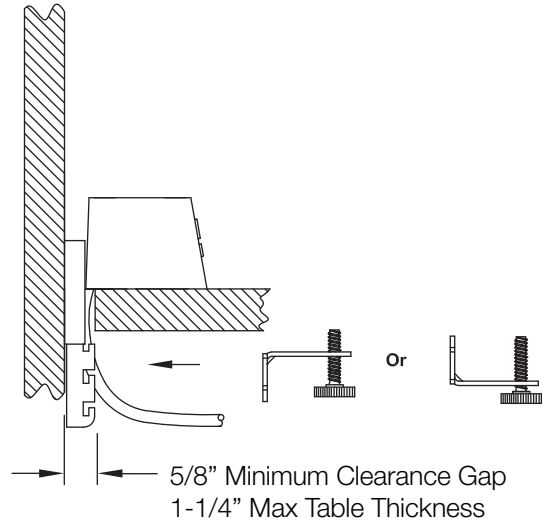
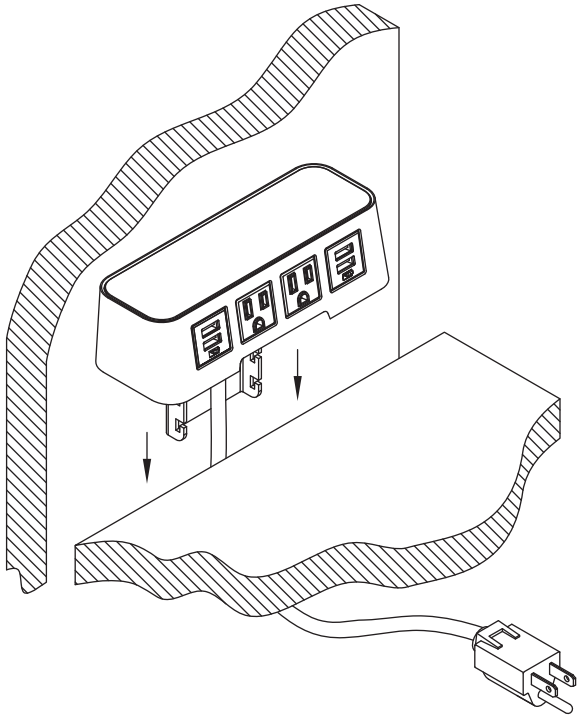


INSTALLATION INSTRUCTIONS FOR EDGE MOUNT

Install data jacks as described in the installation instructions provided with data adapters



7/8" Minimum Clearance Gap
1-1/4" - 2-3/4" Table Thickness

