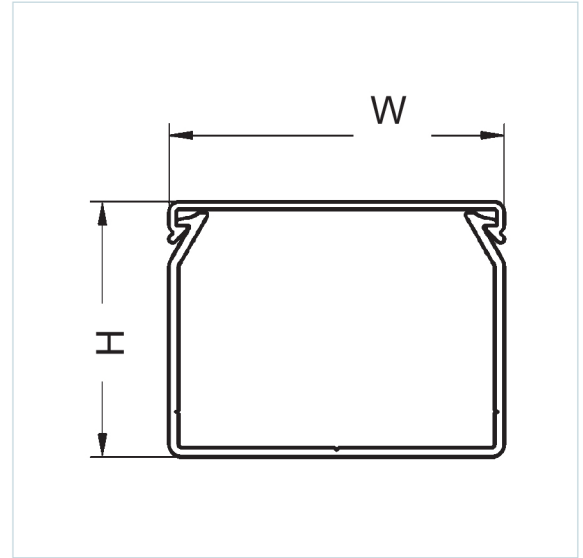
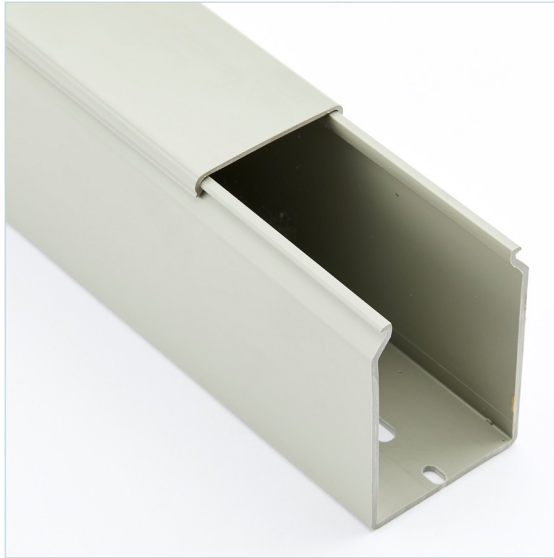
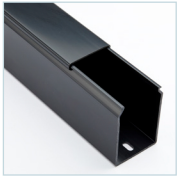


### Betaduct PVC Solid Wall Cable Trunking



#### Specification

|                               |                              |
|-------------------------------|------------------------------|
| <b>Material</b>               | Rigid PVC 9051 LF            |
| <b>Colour</b>                 | Grey RAL7030, Black RAL9005  |
| <b>Operating Temp</b>         | -5°C to +60°C                |
| <b>Volume Resistivity</b>     | 1 E15 Ohm. cm                |
| <b>Dielectric Strength</b>    | 15 kV/mm                     |
| <b>Flame Resistance</b>       | VO UL94                      |
| <b>Tensile Strength</b>       | >40 MPa                      |
| <b>Ultimate Elongation</b>    | >160%                        |
| <b>Fire Rating</b>            | DIN 5510-2   S3-SRI-ST2      |
| <b>Weather Resistance</b>     | Good                         |
| <b>Stabilization</b>          | Calcium / Zinc               |
| <b>Glow Wire Flammability</b> | +960°C                       |
| <b>UL Recognised</b>          | UL 1565   E509564            |
| <b>CSA Recognised</b>         | CSA-C22.2 No. 18.5   E509564 |

#### Key Features

- Lightweight and self-extinguishing
- Excellent rigidity and performance characteristics
- Easy installation
- Base holes to EN 50085-2-3\*  
\*100mm height base holes to DIN 43659-1
- Secure clip on lid
- Supplied in 2m lengths

#### Spare lids available



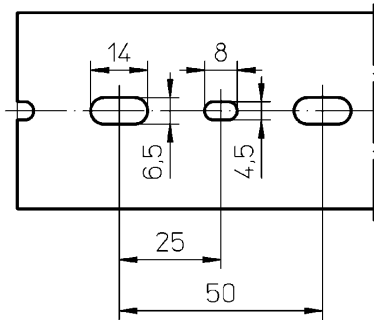
| Part Number   | Nominal External (mm) |       | Lengths Per Pack | Quantity Per Pack (m) |
|---------------|-----------------------|-------|------------------|-----------------------|
|               | Height                | Width |                  |                       |
| WD-SW-100-100 | 25                    | 25    | 12               | 24                    |
| WD-SW-100-150 | 37.5                  | 25    | 12               | 24                    |
| WD-SW-100-200 | 50                    | 25    | 12               | 24                    |
| WD-SW-100-300 | 75                    | 25    | 8                | 16                    |
| WD-SW-150-150 | 37.5                  | 37.5  | 12               | 24                    |
| WD-SW-150-200 | 50                    | 37.5  | 8                | 16                    |

### Betaduct PVC Solid Wall Cable Trunking

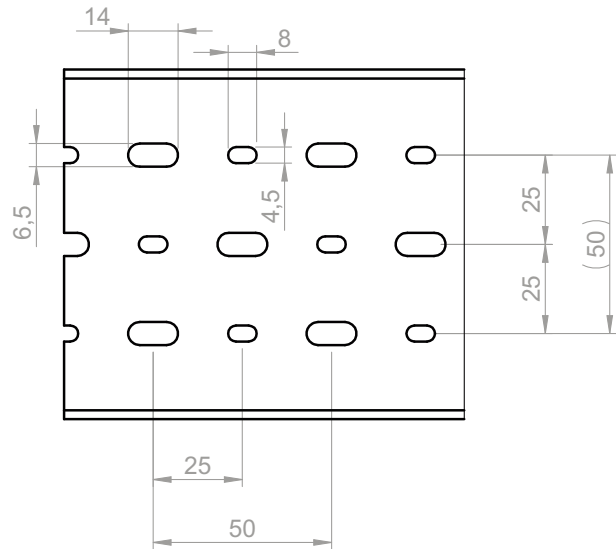
| Part Number   |  | Nominal External (mm) |       | Lengths Per Pack | Quantity Per Pack (m) |
|---------------|--|-----------------------|-------|------------------|-----------------------|
|               |  | Height                | Width |                  |                       |
| WD-SW-150-300 |  | 75                    | 37.5  | 8                | 16                    |
| WD-SW-200-150 |  | 37.5                  | 50    | 12               | 24                    |
| WD-SW-200-200 |  | 50                    | 50    | 8                | 16                    |
| WD-SW-200-300 |  | 75                    | 50    | 8                | 16                    |
| WD-SW-200-400 |  | 100                   | 50    | 4                | 8                     |
| WD-SW-300-200 |  | 50                    | 75    | 8                | 16                    |
| WD-SW-300-300 |  | 75                    | 75    | 8                | 16                    |
| WD-SW-300-400 |  | 100                   | 75    | 4                | 8                     |
| WD-SW-400-200 |  | 50                    | 100   | 4                | 8                     |
| WD-SW-400-300 |  | 75                    | 100   | 4                | 8                     |
| WD-SW-400-400 |  | 100                   | 100   | 4                | 8                     |

### Betaduct PVC Solid Wall Cable Trunking

W = 25, 37.5 and 50 mm



W = 75, 100 and 125 mm



Base punching to EN 50085-2-3

### Betaduct Trunking Capacity Chart

| Trunking<br>Nominal<br>External<br>Width x<br>Height<br>(mm) | Internal<br>Cross<br>Sectional<br>Area<br>(mm <sup>2</sup> ) | At 50%<br>Packing<br>Density<br>(mm <sup>2</sup> ) | Cable Cross Sectional Area (mm <sup>2</sup> ) Tri-Rated Cable BS6231 |      |      |      |      |      |      |       |       |       |       |       |       |       |    |  |
|--|--|--|--|------|------|------|------|------|------|-------|-------|-------|-------|-------|-------|-------|----|--|
|  |  |  | Cable Diameter (mm)  |      |      |      |      |      |      |       |       |       |       |       |       |       |    |  |
|  |  |  | 0.50   | 0.75 | 1.00 | 1.50 | 2.50 | 4.00 | 6.00 | 10.00 | 16.00 | 25.00 | 35.00 | 50.00 | 70.00 | 95.00 |    |  |
| 25 x 37.5  | 608  | 304  | 55   | 48   | 43   | 35   | 28   | 19   | 16   | 9     | 4     | 3     | 2     | 1     | 1     | 1     | 1  |  |
| 25 x 50  | 836  | 418  | 76   | 66   | 59   | 48   | 38   | 27   | 22   | 12    | 6     | 4     | 3     | 2     | 1     | 1     | 1  |  |
| 25 x 75  | 1311   | 655.5  | 120  | 104  | 92   | 76   | 60   | 43   | 34   | 19    | 10    | 7     | 5     | 3     | 3     | 2     | 2  |  |
| 37.5 x 37.5  | 1024   | 512  | 94   | 81   | 72   | 59   | 47   | 33   | 27   | 15    | 7     | 5     | 4     | 2     | 2     | 1     | 1  |  |
| 37.5 x 50  | 1408   | 704  | 129  | 111  | 99   | 82   | 65   | 46   | 37   | 21    | 10    | 8     | 6     | 4     | 3     | 2     | 2  |  |
| 37.5 x 75  | 2208   | 1104   | 203  | 175  | 156  | 129  | 102  | 72   | 58   | 33    | 17    | 12    | 9     | 6     | 5     | 3     | 3  |  |
| 50 x 37.5  | 1408   | 704  | 129  | 111  | 99   | 82   | 65   | 46   | 37   | 21    | 10    | 8     | 6     | 4     | 3     | 2     | 2  |  |
| 50 x 50  | 1936   | 968  | 178  | 153  | 136  | 113  | 90   | 63   | 51   | 29    | 15    | 11    | 8     | 5     | 4     | 3     | 3  |  |
| 50 x 75  | 3036   | 1518   | 279  | 241  | 214  | 177  | 141  | 99   | 80   | 45    | 23    | 17    | 13    | 8     | 7     | 5     | 5  |  |
| 50 x 100   | 4136   | 2068   | 380  | 328  | 292  | 241  | 192  | 136  | 109  | 62    | 32    | 23    | 18    | 12    | 9     | 7     | 7  |  |
| 75 x 37.5  | 2208   | 1104   | 203  | 175  | 156  | 129  | 102  | 72   | 58   | 33    | 17    | 12    | 9     | 6     | 5     | 3     | 3  |  |
| 75 x 50  | 3036   | 1518   | 279  | 241  | 214  | 177  | 141  | 99   | 80   | 45    | 23    | 17    | 13    | 8     | 7     | 5     | 5  |  |
| 75 x 75  | 4761   | 2380.5   | 438  | 378  | 336  | 278  | 221  | 156  | 126  | 71    | 37    | 27    | 21    | 13    | 11    | 8     | 8  |  |
| 75 x 100   | 6486   | 3243   | 596  | 515  | 458  | 379  | 301  | 213  | 171  | 97    | 50    | 37    | 29    | 18    | 15    | 11    | 11 |  |
| 100 x 50   | 4136   | 2068   | 380  | 328  | 292  | 241  | 192  | 136  | 109  | 62    | 32    | 23    | 18    | 12    | 9     | 7     | 7  |  |
| 100 x 75   | 6486   | 3243   | 596  | 515  | 458  | 379  | 301  | 213  | 171  | 97    | 50    | 37    | 29    | 18    | 15    | 11    | 11 |  |
| 100 x 100  | 8836   | 4418   | 813  | 702  | 625  | 516  | 410  | 290  | 234  | 133   | 68    | 50    | 39    | 25    | 20    | 16    | 16 |  |
| 150 x 100  | 13536  | 6768   | 1245   | 1075 | 957  | 791  | 629  | 445  | 358  | 203   | 105   | 77    | 60    | 39    | 31    | 24    | 24 |  |
| 125 x 75   | 8142   | 4071   | 749  | 647  | 575  | 475  | 378  | 267  | 215  | 122   | 63    | 46    | 36    | 23    | 18    | 14    | 14 |  |