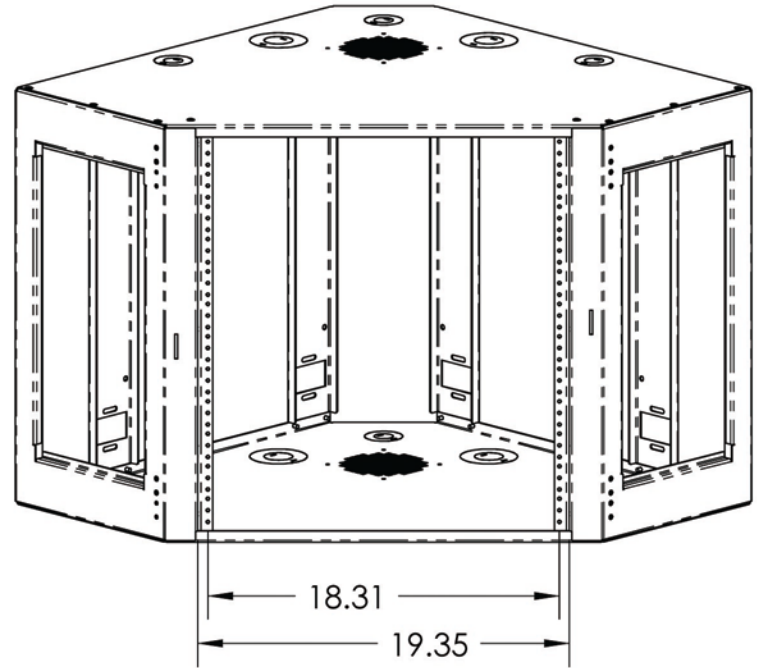
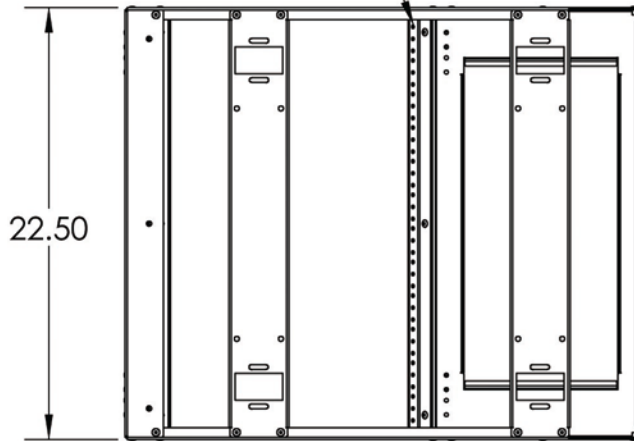
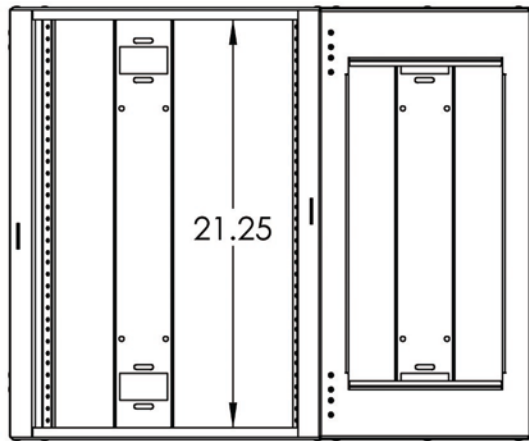


- 4" Fan Venting
- 1.5" Lasered Knock-Out
- 3" Lasered Knock-Out
- 1" Lasered Knock-Out
- 2" Lasered Knock-Out



12U Tapped Rails (2x)



**KENDALL HOWARD**  <sup>TM</sup>  
 INNOVATORS IN PRODUCT DESIGN

**PROPRIETARY AND CONFIDENTIAL**

THE INFORMATION CONTAINED IN THIS DRAWING IS THE SOLE PROPERTY OF KENDALL HOWARD LLC. ANY REPRODUCTION IN PART OR AS A WHOLE WITHOUT THE WRITTEN PERMISSION OF KENDALL HOWARD LLC IS STRICTLY PROHIBITED. THE PRODUCTS SHOWN AND DESCRIBED IN THIS DRAWING ARE THE INTELLECTUAL PROPERTY OF KENDALL HOWARD LLC. THEY MAY BE PROTECTED BY TRADE SECRETS, PATENTS, TRADEMARKS, COPYRIGHT LAWS, OR A COMBINATION OF SOME OR ALL OF THESE LAWS. COPYRIGHT 2010 KENDALL HOWARD LLC.

	NAME	DATE	TITLE: The Phantom Class 12U Corner Wallmount Cabinet		
DRAWN	krh		SIZE <b>A</b>	DWG. NO. 1915-3-700-12	REV
CHECKED	mij	12/22/2010			
ENG APPR.			SCALE: 1:10		
MFG APPR.					
UNLESS OTHERWISE SPECIFIED: DIMENSIONS ARE IN INCHES DO NOT SCALE DRAWING			SHEET 1 OF 1		