



Product Instructions

Phantom Class™ 12U Corner Wallmount Cabinet

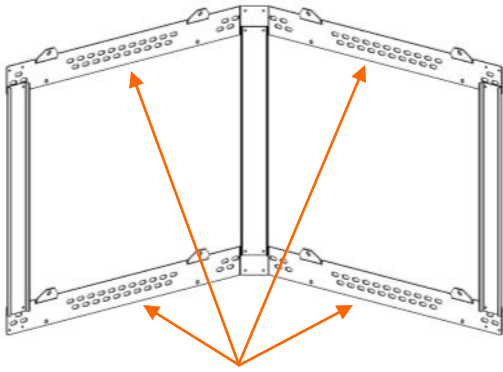
SKU# 1915-3-700-12



10152 Liberty Lane
Chisago City, MN 55013, USA

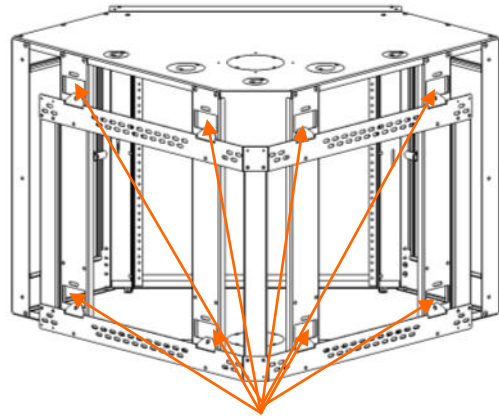
Phone: 651-213-1333
Fax: 800-418-6897

Assembly - Step 1:



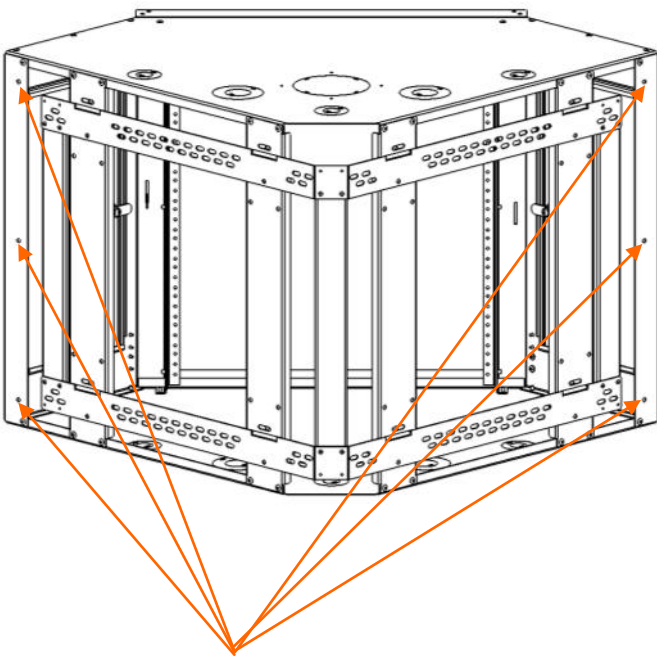
Remove mounting frame from wallmount cabinet. Turn mounting frame so that the eight beveled tabs face up. Position the mounting frame in corner and use the obround (oblong) holes to secure the mounting frame to the corner.

Assembly - Step 2:



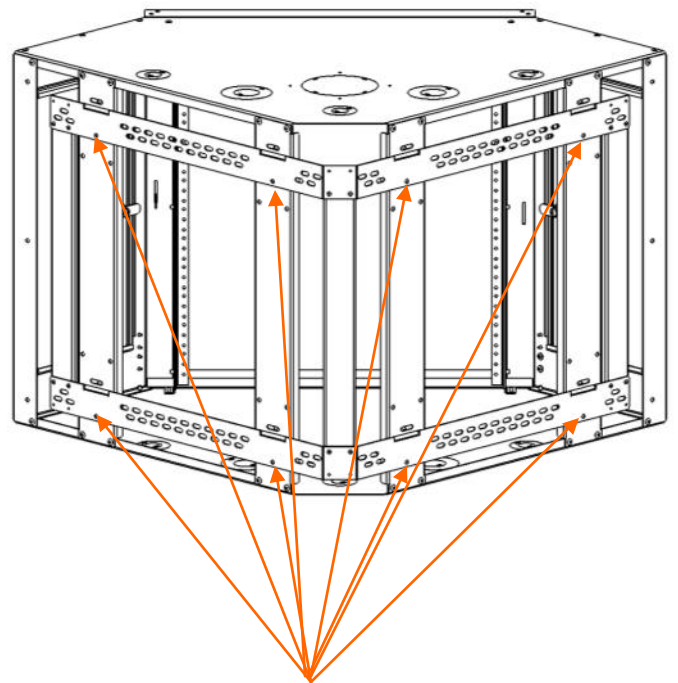
Once mounting frame is secured to corner, lift and lower the wallmount cabinet so that each of the eight (8) beveled tabs slides into the eight (8) slots in the back of the wallmount cabinet.

Assembly - Step 3:



Install screws (not provided) in these six (6) locations BEFORE installing any equipment in the cabinet. * Warranty Disclaimer *

Assembly - Step 4:



(Optional) Install wallmounting screws (not provided) for additional security in these eight (8) locations to secure the cabinet to the mounting frame.

KENDALL HOWARD 
INNOVATORS IN PRODUCT DESIGN

For details about product warranty, please visit www.KendallHoward.com



DISCLAIMER: Kendall Howard LLC. endeavors to make this manual accurate and complete. However, Kendall Howard LLC makes no representations or warranties of any kind, expressed or implied, about whether the use of products contained herein would infringe any rights or the correctness, accuracy or reliability of the information contained herein or that said information covers all details, conditions or variations. The information herein does not provide for every possible contingency in connection with the installation or use of the product(s). The information contained in this document is subject to change without notice or obligation. Kendall Howard LLC assumes no responsibility for the accuracy, completeness or reliability of the information contained in this document. Any reliance placed on the information is therefore strictly at your own risk.