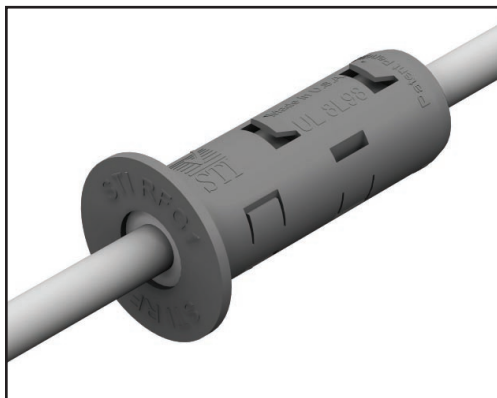




READY® FIRESTOP GROMMET

APPLICATIONS

Ready® Firestop Grommets are designed to permanently seal single cable penetrations through dry wall.



PRODUCT DESCRIPTION

Ready® Firestop Grommet is a molded, two-piece grommet with an integral fire and smoke sealing foam membrane for sealing individual cable penetrations through framed wall assemblies. Grommet snaps together around cable and locks tightly into the wall.

FEATURES

- Easy firestop and smoke seal for a single cable penetration through fire-rated walls
- For use in gypsum board wall (i.e. drywall) construction
- Tested to ASTM E814/UL1479 and CAN/ULC-S115
- Made from tough, plenum-grade plastic
- Low voltage cables up to 0.27 in. (7 mm) O.D

PERFORMANCE

Ready® Firestop Grommets were tested to meet the exacting criteria of ASTM E814 (UL1479) and CAN/ULC S115. Tested systems provide up to 2 hr fire ratings for single cable penetrations in gypsum board/stud wall assemblies.



FIRESTOP DEVICE FOR USE IN THROUGH-PENETRATION FIRESTOP SYSTEMS. SEE UL FIRE RESISTANCE DIRECTORY.

8L98

PHYSICAL PROPERTIES

PROPERTIES:		READY® FIRESTOP GROMMET
Color		Red
Weight		0.01 lbs (5 g)
Shelf Life		N.A.
Plenum Grade		Yes
V.O.C. Content		N.A.
Leakage Rating	Less Than 1 CFM (ANSI/UL1479)	
In-Service Temperature	<130° F (54° C)	
VOC Content		N.A.
DIMENSIONS:		
Overall Length		1-5/8" (41.3 mm)
Installed Depth (from wall surface)		1-9/16" (39.7 mm)
Required Opening		9/16" (14 mm)

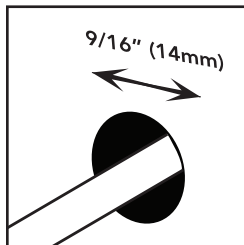
SPECIFICATIONS

For single cables penetrating gypsum board/stud wall assemblies, the firestop shall consist of a molded, two-piece grommet having a foam fire and smoke sealing membrane that conforms to the outside diameter of the individual cable. The grommet product shall be capable of locking into place to secure the cable penetration within the wall assembly. The grommet shall be UL Classified and tested to the requirements of ASTM E814 (UL1479) and CAN/ULC S115.

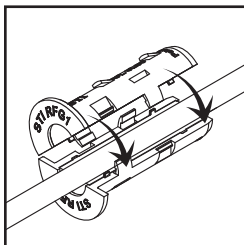
SPECIFIED DIVISIONS		
Division	Section	Title
7	07 84 00	Firestopping
26	26 00 00	Electrical
27	27 00 00	Communications



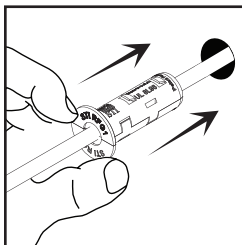
INSTALLATION INSTRUCTIONS



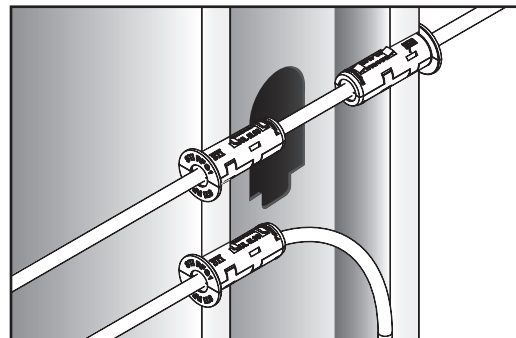
Step 1: Drill a 9/16 in. (14 mm) opening in gypsum board wall and install cable.



Step 2: Place two halves of firestop grommet around cable and snap together.



Step 3: Firmly push grommet into wall opening to lock in place.



Note: For through penetration where cable breaches both membranes of wall, a firestop grommet is required on both sides of a wall.

MAINTENANCE

Installations should be inspected periodically for subsequent damage. Any damage should be repaired using SpecSeal® products.

TECHNICAL SERVICE

Specified Technologies Inc. provides toll free technical support to assist in product selection and appropriate installation design. UL Systems, Material Safety Data Sheets and other technical information is available at the Technical Library at www.stifirestop.com.

PRECAUTIONARY INFORMATION

No unusual hazards are known or expected. Observe normal safety procedures during installation.

AVAILABILITY

Ready® Firestop Grommets are available from authorized STI distributors worldwide. Visit www.stifirestop.com or call 800.992.1180 for information concerning where to purchase these and other STI products.

ORDERING INFORMATION

Cat. No.	Description	Case Qty.
RFG1	Two-piece split cable grommet for single cable penetration up to 0.27 in. (7 mm) diameter	10

IMPORTANT NOTICE: All statements, technical information, and recommendations contained herein are based upon testing believed to be reliable, but the accuracy and completeness thereof is not guaranteed.

WARRANTY: Specified Technologies Inc. manufactures its goods in a manner to be free of defects. Should any defect occur in its goods (within one year), Specified Technologies Inc., upon prompt notification, will at its option, exchange or repair the goods or refund the purchase price.

LIMITATIONS AND EXCLUSIONS: THIS WARRANTY IS IN LIEU OF ALL OTHER REPRESENTATIONS EXPRESSED OR IMPLIED (INCLUDING THE IMPLIED WARRANTIES OF MERCHANTABILITY OR FITNESS FOR USE) AND UNDER NO CIRCUMSTANCES SHALL SPECIFIED TECHNOLOGIES INC. BE RESPONSIBLE FOR ANY INCIDENTAL OR CONSEQUENTIAL PROPERTY DAMAGE OR LOSSES. PRIOR TO USE, THE USER SHALL DETERMINE THE SUITABILITY OF THE PRODUCT FOR ITS INTENDED USE, AND THE USER ASSUMES ALL RISKS AND LIABILITY FOR SUBSEQUENT USE.

No statement or recommendation not contained herein shall have any force or effect unless in an agreement signed by officers of seller and manufacturer.

MADE IN THE USA – COPYRIGHT © 2009 SPECIFIED TECHNOLOGIES INC.



Specified Technologies Inc. • Somerville NJ 08876 USA • Phone: 800.992.1180 • Fax: 908.526.9623

