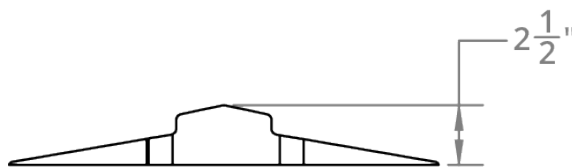
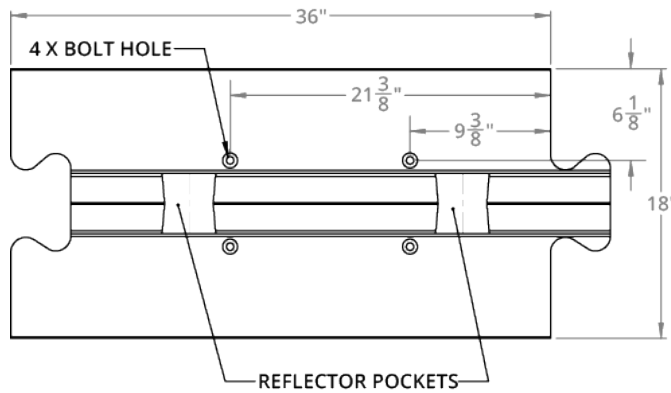
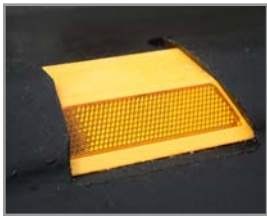
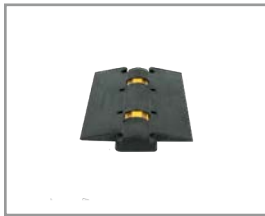




# 2.5" SPEED BUMP SPECIFICATIONS

## Models

### SB-RF-MLSB2.5



## Specifications

- 32 lbs
- 2.5"H x 18"W x 36"L
- Masticated recycled tire rubber
- 2 embedded, high visibility AASHTO two-way yellow reflectors

## Hardware Kit

### SB-RF-MLSBHWK

- 4 - Lag Bolts: 3/8"W x 5"L
- 4 - Washers: 3/8"W x 1"L
- 4 - Anchors

### SB-RF-RBR14HDG

- 14" Galvanized Forged Mounting Spike with Cap

### SB-RF-RBR24/36

- 24" or 36" rebar spike for dirt and gravel road installation

### SB-RF-DREA14

- 14" dirt road earth anchor with drive flat top
- 1.5" tapped hole depth for threaded bolt
  - bolt, nut, and washer included
- Installs with 1-3/8" socket



# 3" SPEED BUMP SPECIFICATIONS

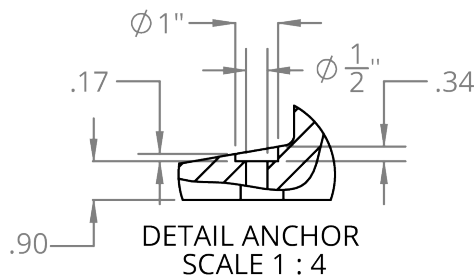
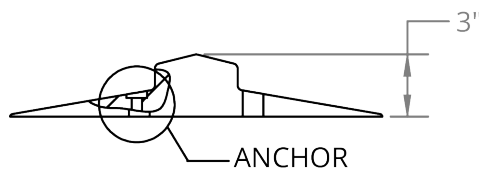
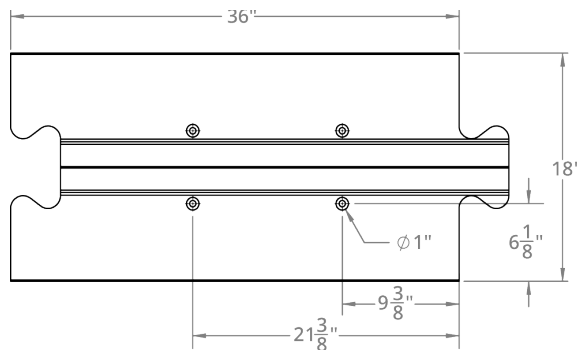
## Models

### SB-RF-MLSB3-BLK

- All black

### SB-RF-MLSB3-YLW

- Black with safety yellow stripes



## Specifications

- 35 lbs
- 3"H x 18"W x 36"L
- Masticated recycled tire rubber
- High-visibility reflective yellow stripe

## Hardware Kit

### SB-RF-MLSBHWK

- 4 - Lag Bolts: 3/8"W x 5"L
- 4 - Washers: 3/8"W x 1"L
- 4 - Anchors

### SB-RF-RBR14HDG

- 14" Galvanized Forged Mounting Spike with Cap

### SB-RF-RBR24/36

- 24" or 36" rebar spike for dirt and gravel road installation

### SB-RF-DREA14

- 14" dirt road earth anchor with drive flat top
- 1.5" tapped hole depth for threaded bolt
  - bolt, nut, and washer included
- Installs with 1-3/8" socket

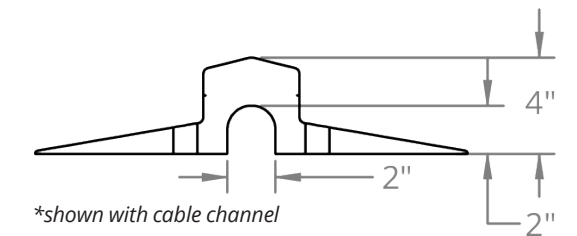
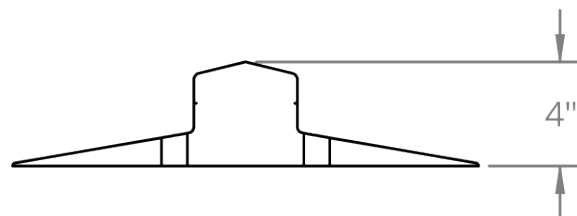
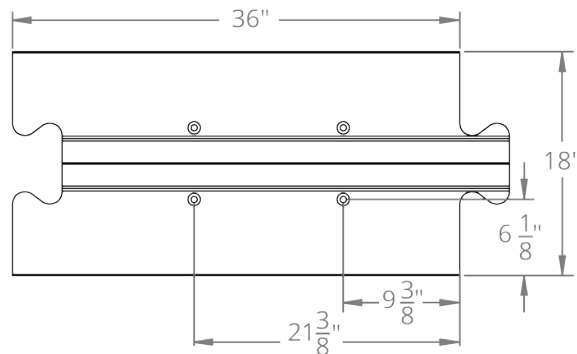


# 4" SPEED BUMP SPECIFICATIONS

## Models

### SB-RF-MLSB4-YLW

- Black with safety yellow stripes



## Specifications

- 40 lbs
- 4"H x 18"W x 36"L
- Masticated recycled tire rubber
- High-visibility reflective yellow stripe

*\*Can be fabricated with 2" x 2" cable channel by request. See drawing below.*

## Hardware Kit

### SB-RF-MLSBHWK

- 4 - Lag Bolts: 3/8"W x 5"L
- 4 - Washers: 3/8"W x 1"L
- 4 - Anchors

### SB-RF-DREA14

- 14" dirt road earth anchor with drive flat top
- 1.5" tapped hole depth for threaded bolt
  - bolt, nut, and washer included
- Installs with 1-3/8" socket