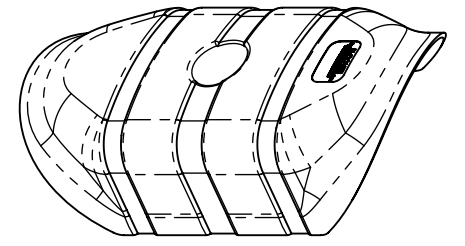
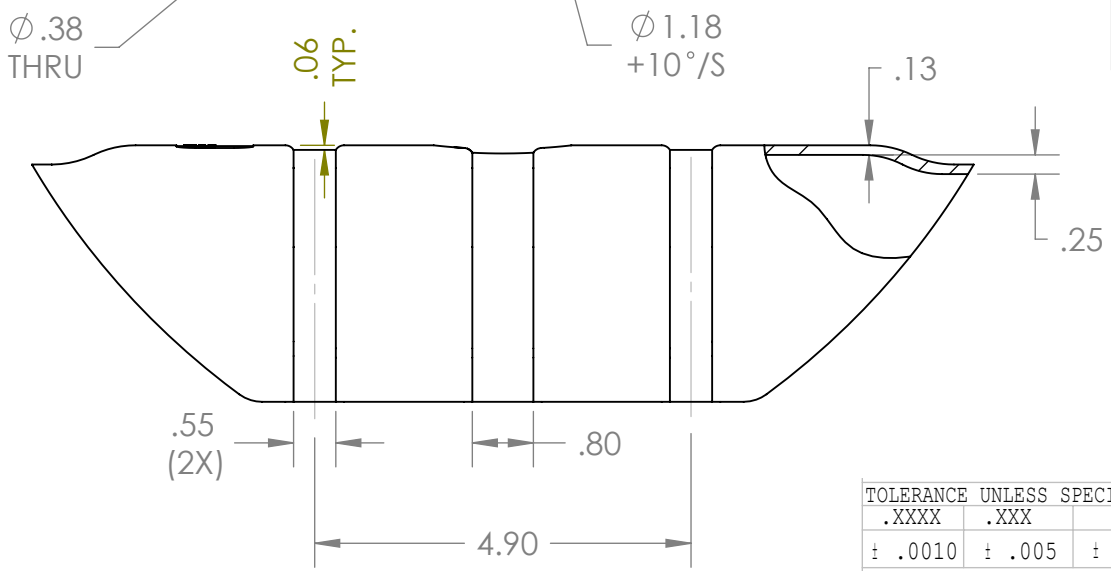
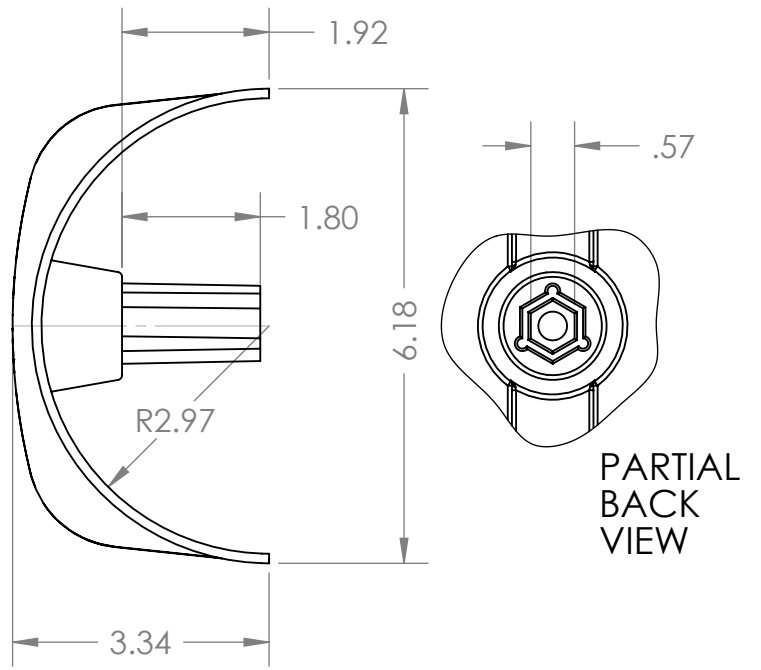
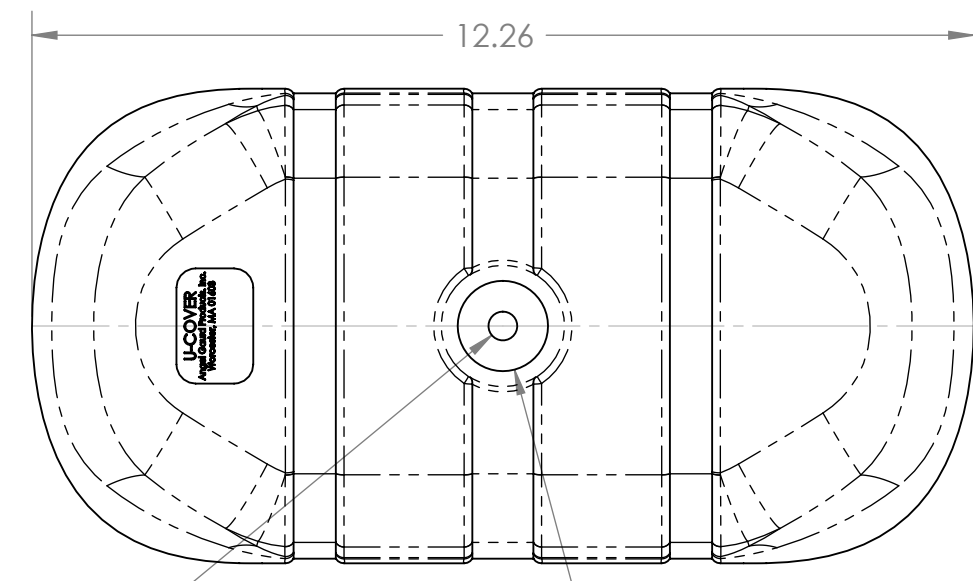


REV	DESCRIPTION OF CHANGE, DWG LOCATION	DATE	APPROVED



TOLERANCE UNLESS SPECIFIED OTHERWISE INCHES					PART NAME:	
.XXXX	.XXX	.XX	.X & FRAC.	ANGLES	LP-U-COVER (low profile)	
± .0010	± .005	± .015	± .12	± 1°	PART #	PART REV
MILLIMETERS					SHEET 1 OF	DWG #
	± .130	± .40	± 3.0			
MATERIAL:			DRAWING BY: BDB		CHECKED BY:	
			/date		/date	
			APPROVED BY:		/date	

PART VOLUME=14.860 cu.in.