

QuickPort® Snap-In Connectors

USOC and Voice Grade

Part Numbers

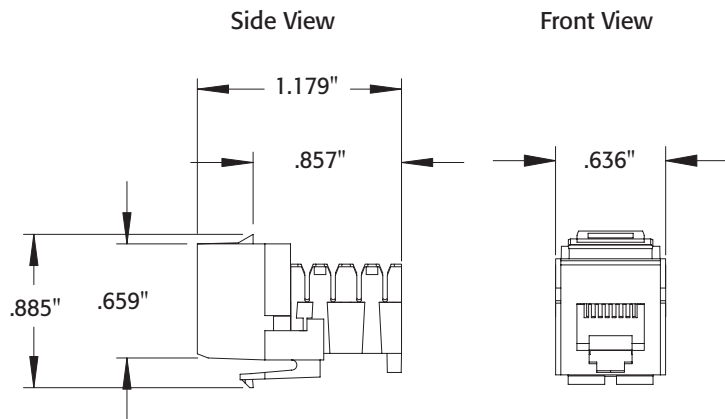
41106-Rx6

41108-Rx8

.....

DIMENSIONAL LINE ART

See ELECTRONIC FILES for CAD images
(.DXF, .DWG, MS-DOS.EPS)



PART NUMBERS

Description	Part No.
USOC QuickPort Snap-in Connector, 6-conductor	41106-R*6
Voice Grade QuickPort Snap-in Connector, 8-conductor	41108-R*8

* = Color Choices: Ivory (I), White (W), Grey (G), Black (B), Orange (O), Blue (L), Yellow (Y), Dark Red (R), Brown (B), Almond (A), Green (V), Purple (P), Crimson Red (C)