



Product Description

Abesco Z240 Pipe Collars consist of a zinc coated factory formed steel shell, which contains heat reactive intumescent material. When exposed to temperatures of approximately 300°F the graphite based intumescent material begins to expand (intumesce) rapidly to form a solid insulating char plug which effectively closes and seals openings where plastic pipes penetrate thru fire-rated walls and floors. They are supplied in 2 halves, and are held closed around the pipe by a unique and easy to use closure device. Z240 Pipe Collars are available in sizes to suit 2", 3", 4" and 6" plastic pipes.

Z240 PIPE COLLAR FEATURES:

Easy installation – saves labor cost

Intumescent material unaffected by moisture

No cutting of wrap strips

UL Classified – complies with Building Codes

Application

Abesco Z240 Pipe Collars are used to seal PVC, CPVC and ABS* pipes which penetrate thru 1 and 2 hour fire-rated concrete walls and floors, and are suitable for most common types of construction including concrete floors, concrete walls, concrete block walls and gypsum drywall assemblies. They are suitable for use on schedule 40 plastic pipes in both closed and vented (DWV) conditions.

* ABS currently up to 2"

Physical Properties

Nominal Pipe Size	2"	3"	4"	6"
O/D	3"	4 1/4"	5 1/2 "	8 1/4"
Height	2 7/16"	2 7/16"	2 7/16"	2 7/16"

Note - Dimensions are nominal sizes

Shell Construction - 22 Gauge

Finish - Galvanised

Specifications

All installations shall be in strict accordance with manufacturers printed instructions. The Firestop device shall be tested in accordance with ASTM E814 (UL1479) and classified by Underwriters Laboratories Inc as a Through-Penetration Firestop Device for up to 2 Hour rating.

All through penetrations shall be sealed with a UL Classified system or device as listed within the current UL Fire Resistance Directory, or have approved shop drawings prior to installation.

Suitability for a particular application should be determined prior to installation.

Testing and Performance Data

Tested in Accordance with ASTM E814, UL1479

UL Classified 1 and 2 Hour rating

Please visit the UL website for details on our current system



FOR USE IN THROUGH PENETRATION FIRESTOP SYSTEMS SEE UL DIRECTORY OF PRODUCTS CERTIFIED FOR CANADA AND UL FIRE RESISTANCE DIRECTORY 24KP

Also tested to BS 476 (British), prEN1366 (European), AS1530 (Australian)

As part of our policy of ongoing improvement, we reserve the right to modify, alter or change product specifications without giving notice. Product illustrations are representations only. All information contained in this document is provided for guidance only, and as Abesco Limited has no control over the installation methods of the products, or of the prevailing site conditions, no warranties expressed or implied are intended to be given as to the actual performance of the products mentioned or referred to, and no liability whatsoever will be accepted for any loss, damage or injury arising from the use of the information given of products mentioned or referred to herein.

Abesco Ltd, Abesco House
Laurencekirk Business Park
Laurencekirk
Scotland, UK
AB30 1EY
Tel: +44 (0) 1561-377766
Fax: +44 (0) 1561-378887

Installation Methods

Abesco Z240 Pipe Collars are very easy to install, and there is no requirement to cut lengths of intumescent material on site as they are supplied ready to go with the correct amount of intumescent material pre-installed.

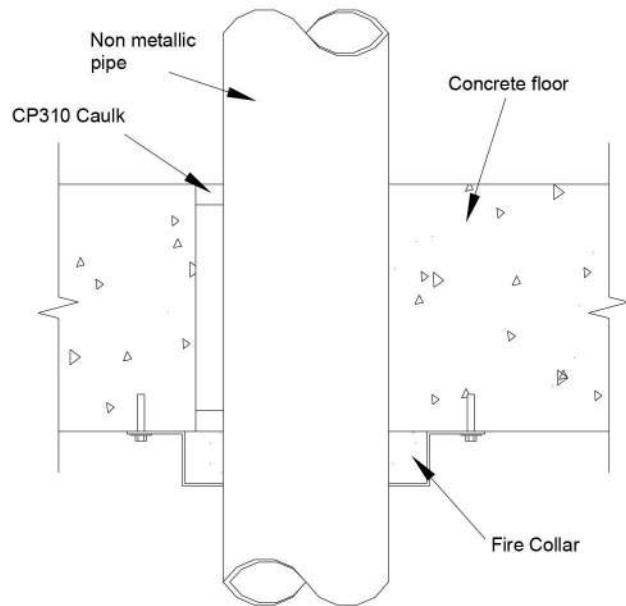
- 1 Select the correct size collar to suit the diameter of the pipe.
- 2 Check that any annular space between the pipe and the opening is within the limits defined by the tested constructions.
- 3 Fit the collar around the pipe on the underside of the floor or on both sides of the wall by sliding together the fixing mechanism and firmly place against the surface of the wall or floor.
- 4 If required, mark the wall or floor surface through the slots in the integral fixing lugs, and pre-drill suitable size holes for the appropriate anchors:

For installation in concrete, use 1/4" diameter x 1 1/2" long steel expansion bolts.

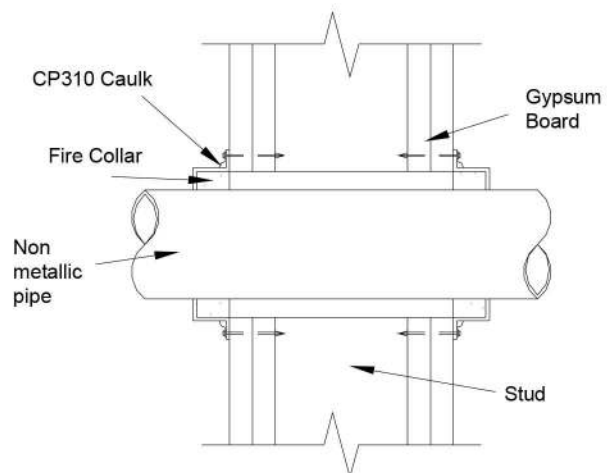
For installation in gypsum boards, use 1/8" diameter x 2" long steel hollow wall anchors.

- 5 After the Z240 collar is attached, a 3/16" bead of Abesco CP310 FR Intumescent Acrylic Caulk should be applied at the interface of the collar and the surface of the wall or floor to provide an adequate smoke seal.
- 6 Please always consult the current UL Fire Resistance Directory for details of tested constructions before commencing installation.

Typical Installations



Concrete Floor



Drywall