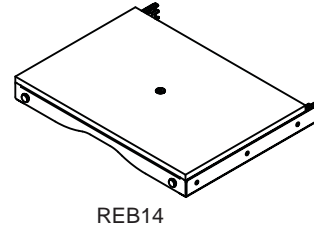
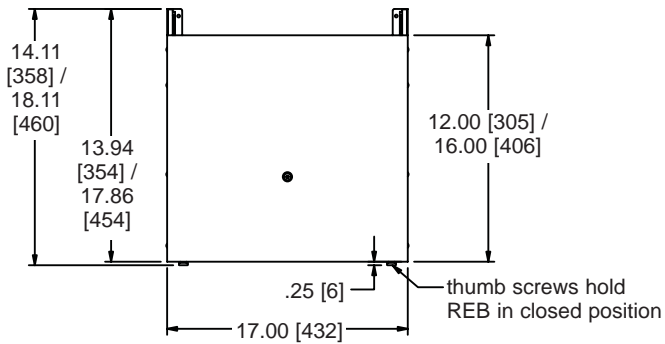


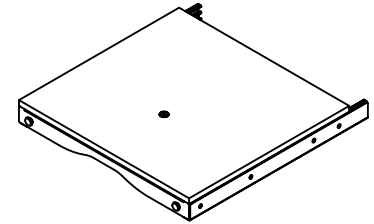
# REB basic dimensions

All dimensions in inches unless otherwise noted [All dimensions in brackets are in millimeters]  
Some dimensions given in the form of REB14 / REB18

**TOP VIEW**

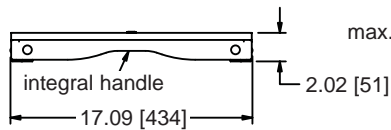


REB14

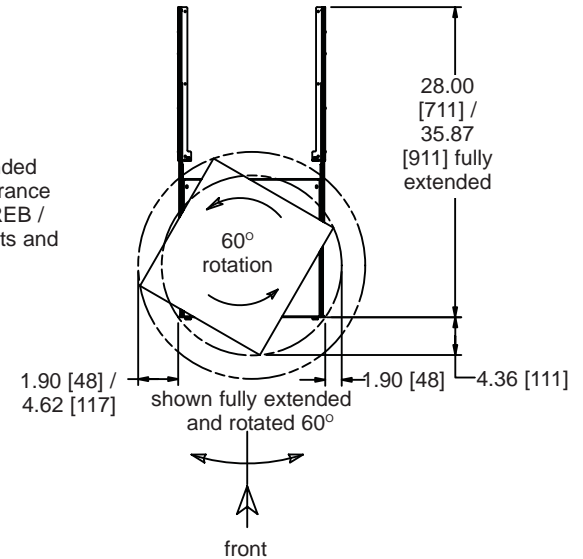
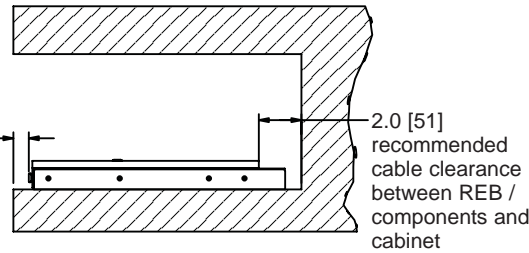


REB18

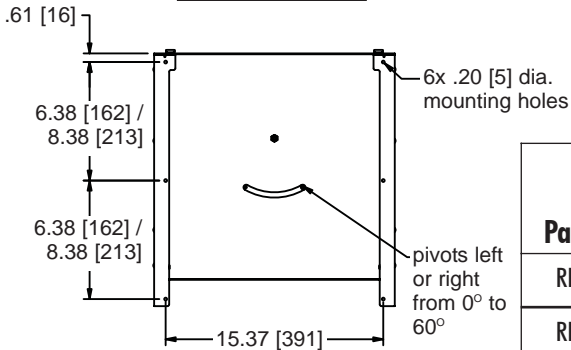
**FRONT VIEW**



**SIDE VIEW**



**BOTTOM VIEW**



Part #	Minimum Rough Opening Width*	Minimum Recommended Rough Opening Depth**	Weight Capacity	Useable Depth	
				With No Setback	With 1.0 [25] Setback
REB14	17.13* [435]	15.00** [381]	75 lbs. [34kg.]	13.00 [330]	12.00 [305]
REB18	17.13* [435]	19.00** [483]	75 lbs. [34kg.]	17.00 [432]	16.00 [406]

\* Rough opening width may vary due to width of components

\*\* Rough opening depth may vary due to depth of components