

THIS COPY IS PROVIDED ON A RESTRICTED BASIS AND IS NOT TO BE USED IN ANY WAY DETRIMENTAL TO THE INTERESTS OF PANDUIT CORP.

NOTES, UNLESS OTHERWISE SPECIFIED:

PANDUIT TOOL NO.	INSTALLS * THE FOLLOWING CABLE TIE CROSS-SECTIONS **	WEIGHT/PC	
		OZ	GRAMS
GTH	S,HS,LH,H	12.0	340.2

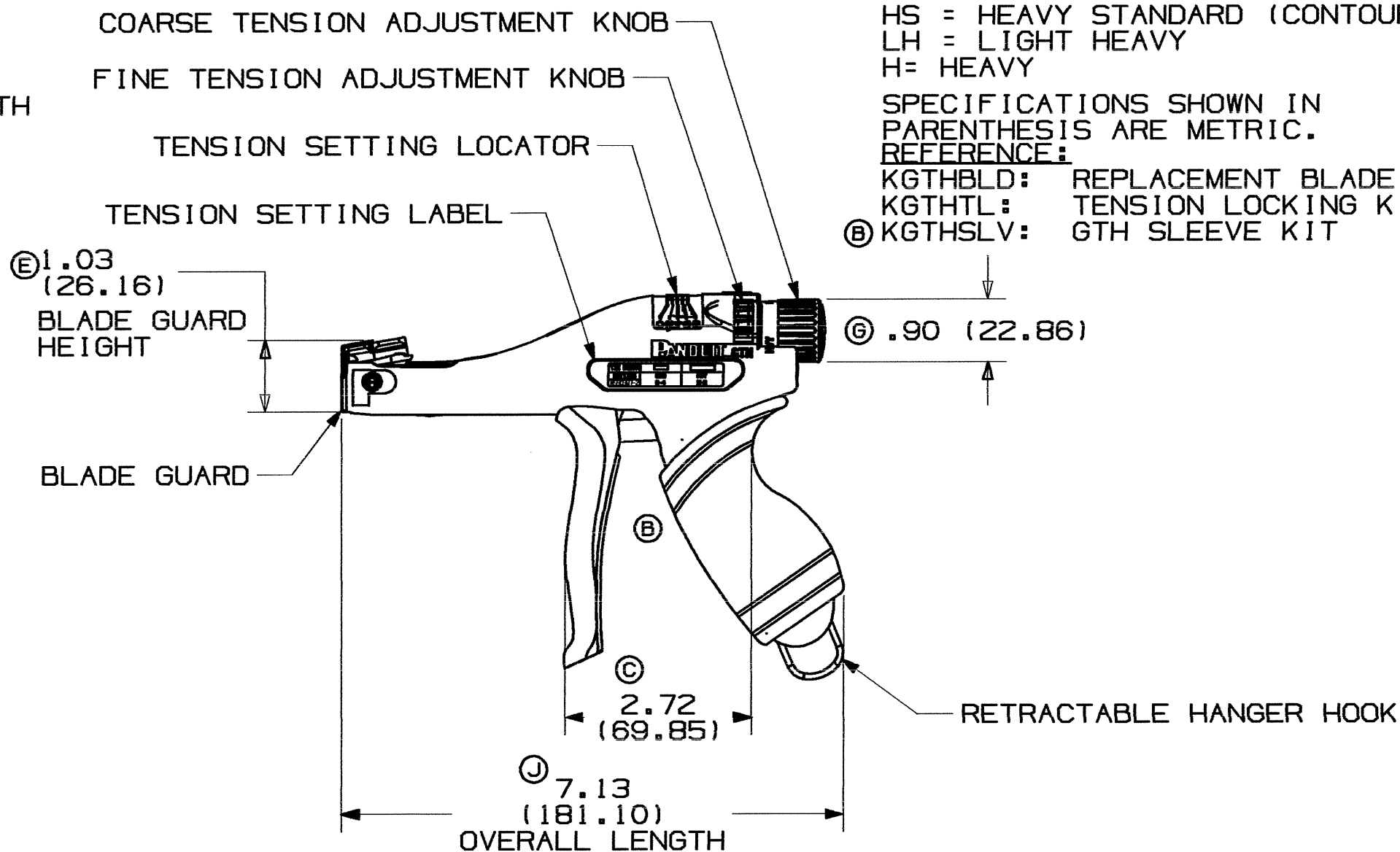
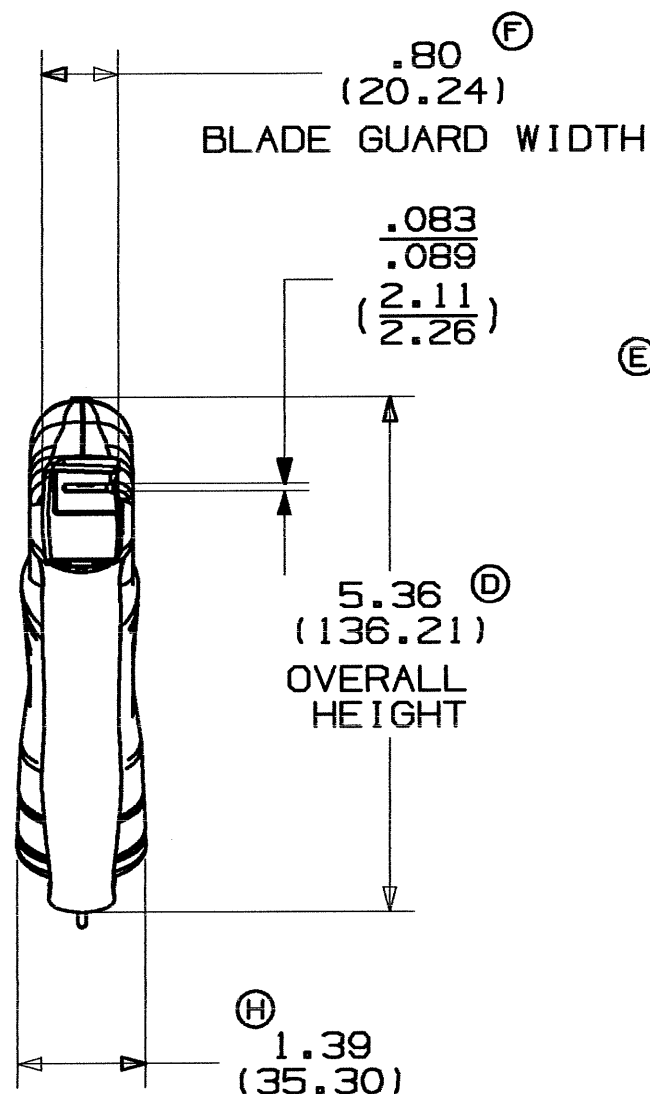
(K)

*THIS TOOL TIGHTENS CABLE TIES AND CUTS OFF EXCESS PORTION WHEN PRESET TENSION IS ATTAINED.

** CABLE TIE CROSS-SECTION CODE:
 S = STANDARD
 HS = HEAVY STANDARD (CONTOUR-TY)
 LH = LIGHT HEAVY
 H = HEAVY

SPECIFICATIONS SHOWN IN PARENTHESIS ARE METRIC.
 REFERENCE:

KGTHBLD: REPLACEMENT BLADE KIT
 KGHTL: TENSION LOCKING KIT
 (B) KGTHSLV: GTH SLEEVE KIT



CAD FILENAME/LAYER R24651BA_DC_WH24651B01_03A

PANDUIT CORP TINLEY PARK, ILLINOIS

CD, GTH

UNLESS OTHERWISE SPECIFIED, DIMENSIONAL TOLERANCES ARE:
 (.X) ± -- (.XXX) ± --
 (.XX) ± -- ANGLES ± --

UNLESS OTHERWISE SPECIFIED, ALL DIMENSIONS ARE GIVEN IN INCHES, THIRD ANGLE PROJECTION

REV	DATE	BY	CHK	DESCRIPTION	ECN	R	CUST	SUP
03	07-20-06	BJPU		CORRECTED TOOL WEIGHT WITH SLEEVE (K)	4201	--		
--	04-21-06	PWG		CORRECTED DIM'S: (C) - (G); UPDATE DIM'S: (H), (J)	----	--		
02	04-21-06	PWG	BJPU	ADDED: (B) DAMPENING SLEEVE & KIT P/N KGTHSLV;	4201	--	LAH	

DRAWN BY PWG
 DATE 4-21-06
 CHK'D BJPU

MAT'L: -----

SCALE 1/2" = 1"
 DRAWING NO. WH24651B01
 SIZE B