

THIS COPY IS PROVIDED ON A RESTRICTED BASIS AND IS NOT TO BE USED IN ANY WAY DETRIMENTAL TO THE INTERESTS OF PANDUIT CORP.

NOTES, UNLESS OTHERWISE SPECIFIED:

\* THIS TOOL TIGHTENS CABLE TIES AND CUTS OFF EXCESS PORTION WHEN PRESET TENSION IS ATTAINED.

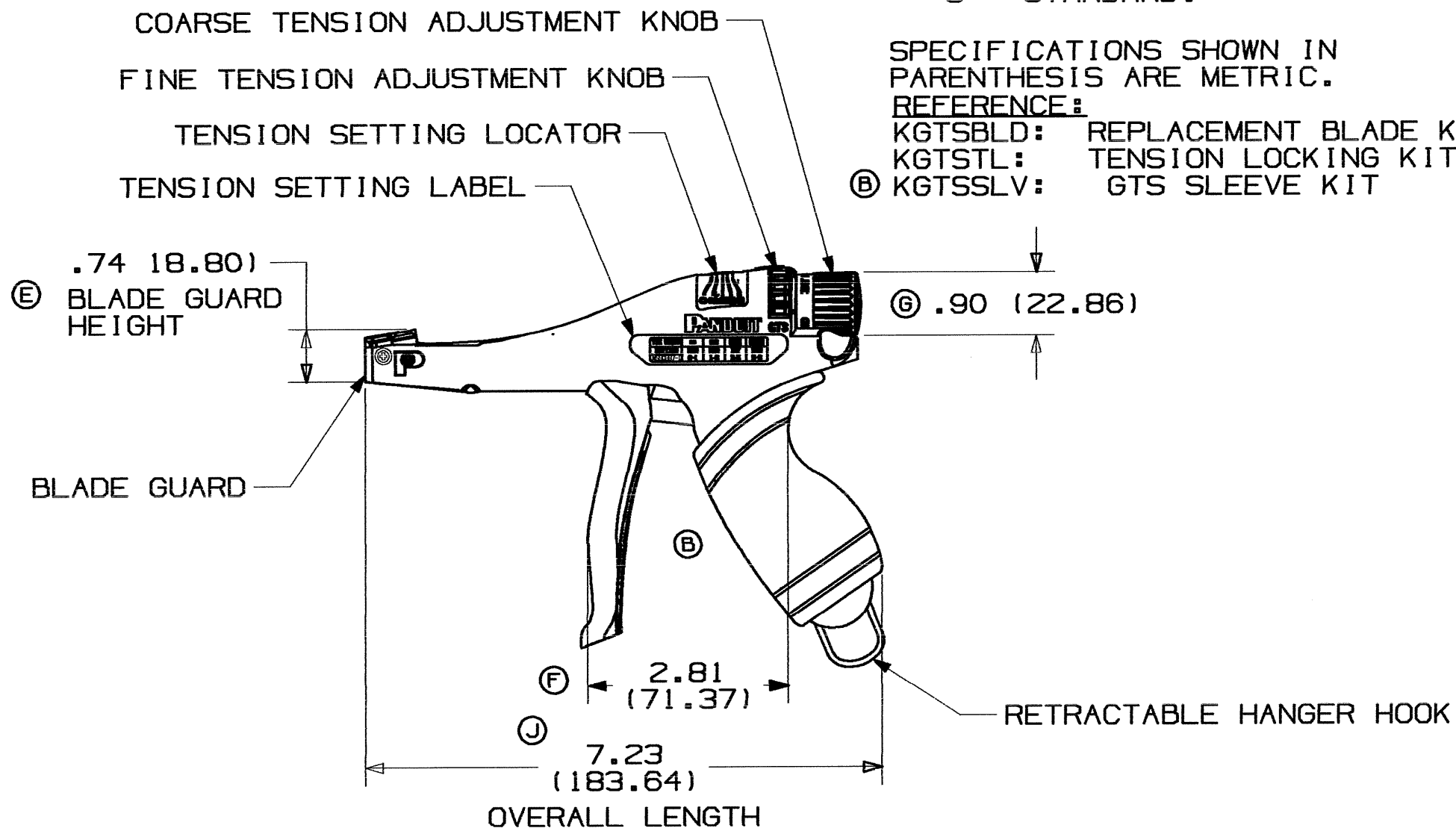
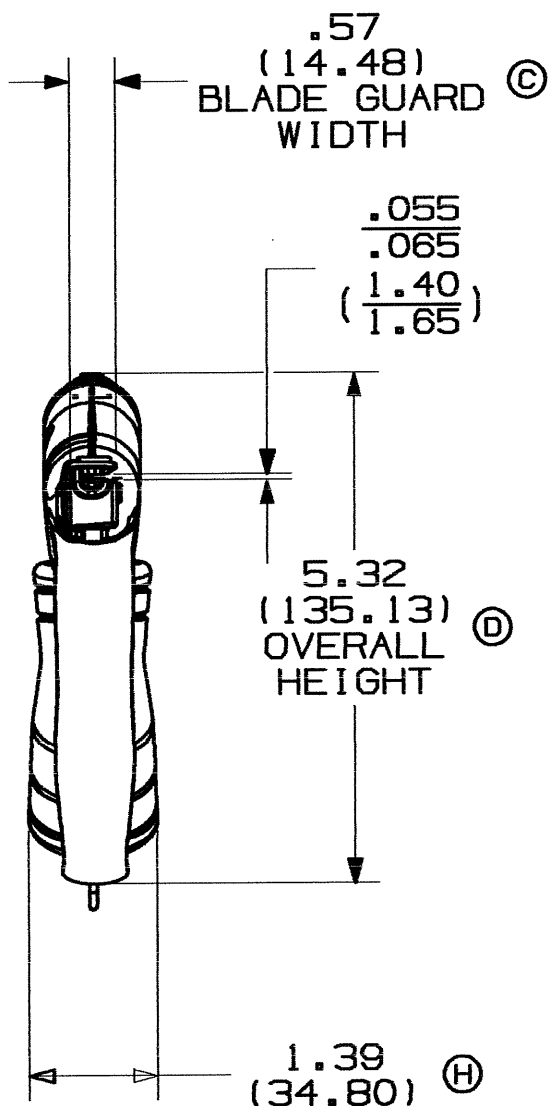
\*\* CABLE TIE CROSS-SECTION CODE:  
 SM = SUB-MINIATURE  
 M = MINIATURE  
 I = INTERMEDIATE  
 S = STANDARD.

SPECIFICATIONS SHOWN IN PARENTHESIS ARE METRIC.

REFERENCE:

KGTSBLD: REPLACEMENT BLADE KIT  
 KGTSTL: TENSION LOCKING KIT  
 (B) KGTSSLV: GTS SLEEVE KIT

PANDUIT TOOL NO.	INSTALLS * THE FOLLOWING CABLE TIE CROSS-SECTIONS **	WEIGHT/PC	
		OZ	GRAMS
GTS	SM,M,I,S	9.8	277.8



										CAD FILENAME/LAYERS		R24229BA_DC_WB24229B01_04A	
										PANDUIT CORP TINLEY PARK, ILLINOIS			
										CD, GTS			
										UNLESS OTHERWISE SPECIFIED, DIMENSIONAL TOLERANCES ARE: (.X) ± --      (.XXX) ± -- (.XX) ± --      ANGLES ± --		UNLESS OTHERWISE SPECIFIED, ALL DIMENSIONS ARE GIVEN IN INCHES, THIRD ANGLE PROJECTION	
04	07-20-06	BJPU		CORRECTED TOOL WEIGHT WITH SLEEVE (K)	4201	--				OWN BY	JEH	MAT'L:	
--	04-19-06	PWG		CORRECTED DIM'S: (C)-(G); UPDATED DIM'S: (H),(J)	----	--				DATE	4-28-00		SCALE 1/2" = 1"
03	04-19-06	PWG	BJPU	ADDED: (B) DAMPENING SLEEVE & KIT P/N KGTSSLV	4201	--	LAH			CHK'D	BJPU		DWG NO. WB24229B01
REV	DATE	BY	CHK	DESCRIPTION	ECN	R	CUST	SUP					DWG SIZE B