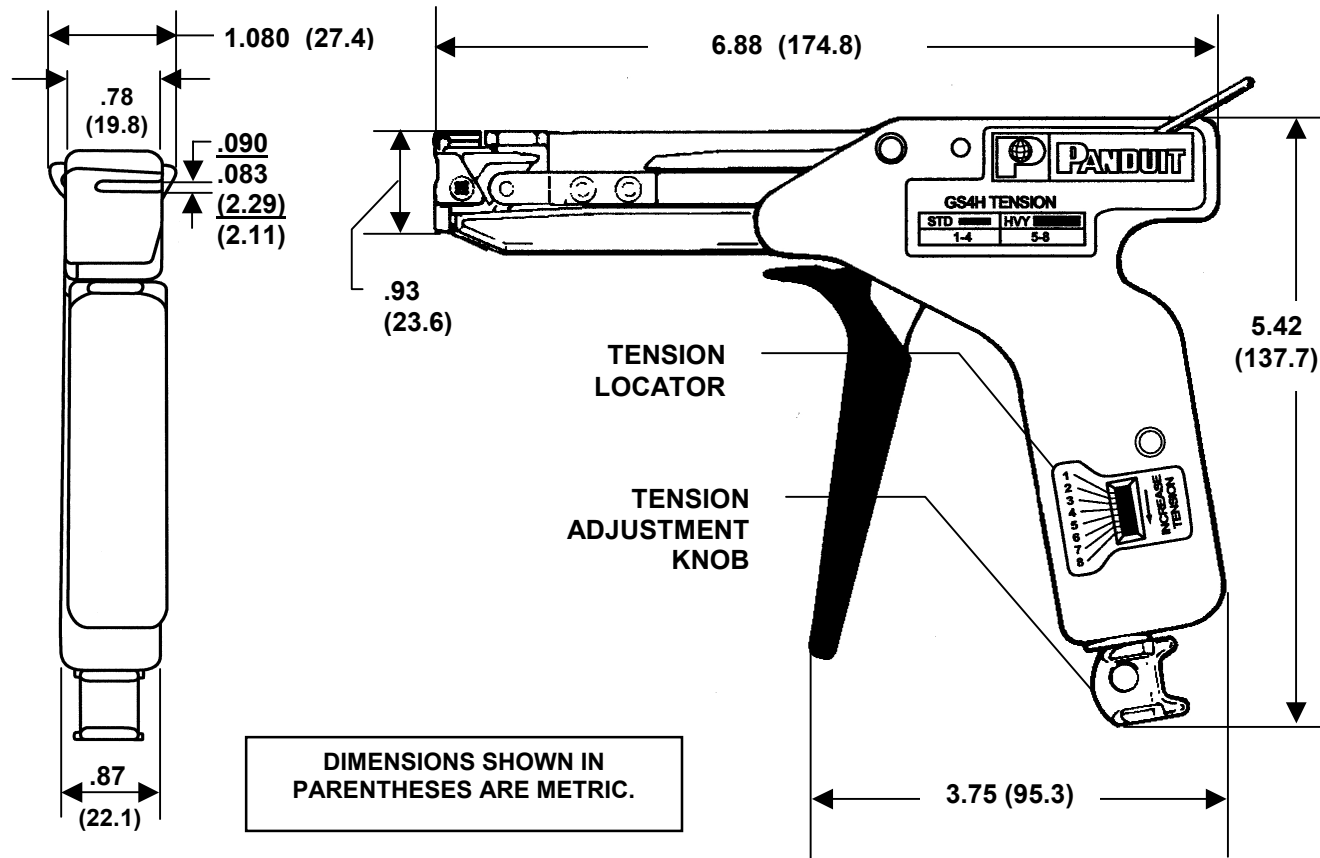


THIS COPY IS PROVIDED ON A RESTRICTED BASIS AND IS NOT TO BE USED IN ANY WAY DETRIMENTAL TO THE INTERESTS OF PANDUIT CORP.



SPECIFICATIONS:

PANDUIT TOOL NO.: GS4H
TOOL WEIGHT: 16 oz. (454 gr.)

INSTALLS STANDARD, HEAVY-STANDARD, LIGHT-HEAVY AND HEAVY CROSS SECTION CABLE TIES.

CABLE TIE CROSS SECTION CODE:
S = STANDARD
HS = HEAVY STANDARD
LH = LIGHT HEAVY
H = HEAVY

THIS MILITARY STANDARD MS-90387-2 TOOL CAN BE USED TO INSTALL THE FOLLOWING MS STRAPS:
MS-3367-1, -2, -3, -6, -7, -23, -24, -25, -29;
AND MS-3368-1, -2, -3, -4.

- THIS TOOL TIGHTENS CABLE TIES AND CUTS OFF EXCESS PORTION WHEN PRESET TENSION IS ATTAINED.
- SUPPLIED WITH SELECTOR KNOB FOR TENSION ADJUSTMENT.

REFERENCE:

K4H-BLD: Blade Replacement Kit
WH18435B02 - Blade Guard Assembly
TTLK3: Tension Locking Kit

F:/RVUSERS/ENGDOCS/CUSTDWGS/GSH-00935A-CD 09.doc

											CORP. TINLEY PARK, ILLINOIS	
GS4H CUSTOMER DRAWING												
									UNLESS OTHERWISE SPECIFIED, DIMENSIONAL TOLERANCES ARE:		UNLESS OTHERWISE SPECIFIED, ALL DIMENSIONS ARE GIVEN IN INCHES, THIRD ANGLE PROJECTION.	
									(.x) ± --- (.xxx) ± ---			
									(.xx) ± --- ANGLES ± ---			
09	11-22-05	BLR	ABJ	ADD HS & LH TIES, KITS; AND MS STRAP #'S	4176	--	BKA	DRAWN BY: BLR	MATL:	SCALE	NONE	
08	2-20-04	BLR	ABJ	REDRAWN	4121	--	DLWE	DATE: 2-20-04	CUSTOMER DRAWING	DRAWING NO.	DWG	
REV	DATE	BY	CHK'D	DESCRIPTION	ECN	-R	CUST	SUP		CHK'D: ABJ	GSH-00935A-CD	A SIZE