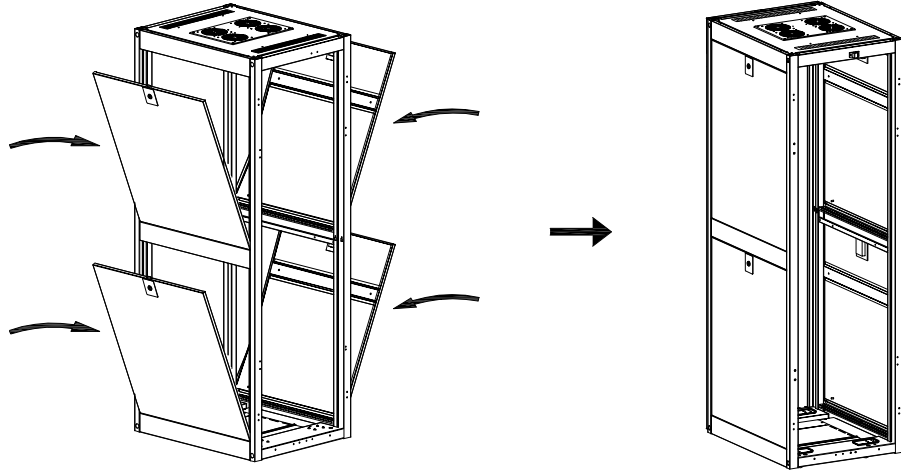


<div style="background-color: black; color: white; padding: 5px; border-radius: 10px; display: inline-block;">Kg</div> Max. 1300kg	Required for installation			SUPPLIED PARTS AND HARDWARE												
	 Screwdriver	 Adjustable wrench	 Tape measure	8x M12X40 bolt A	4x Allen key B	1x CABINETS INSTALLATION MANUAL C	8x Plastic decorative cover D	2x One single door 2x A double door	4x Two single door	32x M5X10 bolt E	8x Chain stopper F	8x The key J	4x giveaways K	4x M6X12 bolt L	4x M6X15 bolt M	4x M12 Adjustable feet P
<p>After assembling, if the diagonal framework is more than 4mm, it is required to loosen the bolts and then reassembled</p>				<p>For the cabinet over 800 depth, the fans should be assembled closed to the rear door.</p>				<p>Cross recessed screw head </p> <p>Plum-shaped screw head </p>								
<p>After assembling, the M12 feet should be under (shorter than) the castors in case of breaking when set up the cabinet!</p>				<p>When assembled the "No Step" sticker is at the front of the cabinet.</p>				<p>When assemble the whole frame, the plastic cover(D) should be removed.</p>								

10

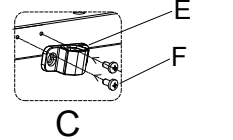
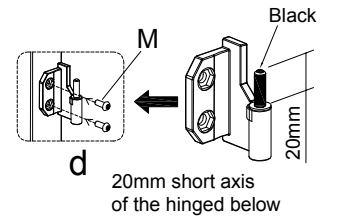
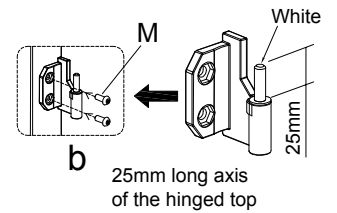
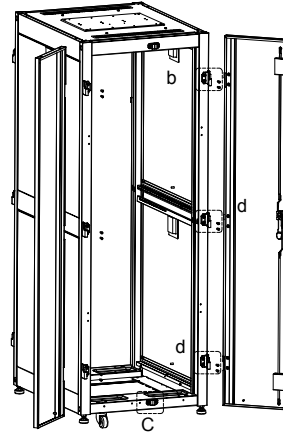
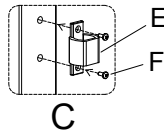
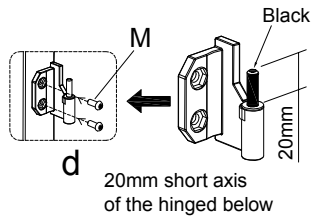
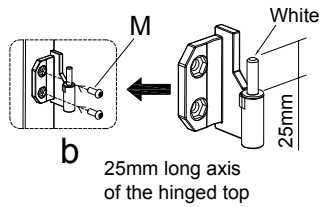
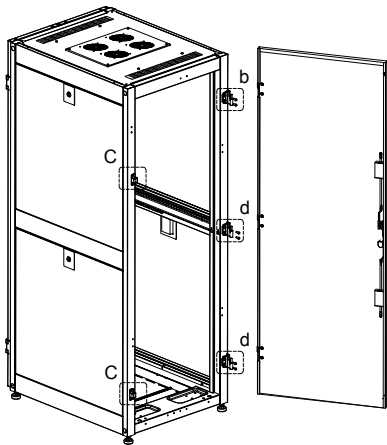
When assembling the side panels, it is necessary to lock the panels and remove the keys in case of falling down!



Single or double doors can be fitted front and rear - (Normally single door at the Front and double doors at the rear).

Fitting Single Door
2 Hinges for 42U and smaller
3 Hinges for 47U and taller

Fitting Double Door
2 Hinges for 42U and smaller
3 Hinges for 47U and taller



4xM(47U and above 6XM); 2xE; 4xF

8xM(47U and above 12XM); 2xE; 4xF

Doors can be adjusted by loosening hinge screws, moving the door and retighten.

